



Perhaps you have one of those hard to reach window systems, or maybe one in which your curtains or blinds will not hang straight due to the protrusion of the operator's handle. Truth recognizes that many of these applications present special problems to the consumer. To help solve these kinds of problems, Truth offers this line of specialty accessories.

**WARRANTY:**

Protected under the terms of the Truth Warranty for Window and Door Manufacturers and Authorized Distributors. Refer to Truth's Terms and Conditions for further details.

**FINISH:** Electrostatically applied, durable coatings that provide excellent resistance to chipping, scratching and corrosion while maintaining color stability for years in direct sunlight. Please refer to Truth's Color Chart for examples of Truth's most popular finish options. Truth also offers a wide range of decorative "plated" finishes - contact Truth for additional information on availability of these finishes on specific product lines.

**TRUTH TIPS:**

1. When pole operation of an elevated awning or casement window is necessary, the Clerestory Pole System (#30476) should be used when appearance is a primary concern, or when an obstruction such as a wall would prevent the proper approach angles necessary for the Universal and Pole Ring system.
2. When a skylight calls for operation other than those options here, please see the skylight section of the catalog or call Truth.



Folding Handle and EntryGard Metal Cover shown.

FIG. 1 APPLICATION OF UNIVERSAL AND POLE RING SYSTEM

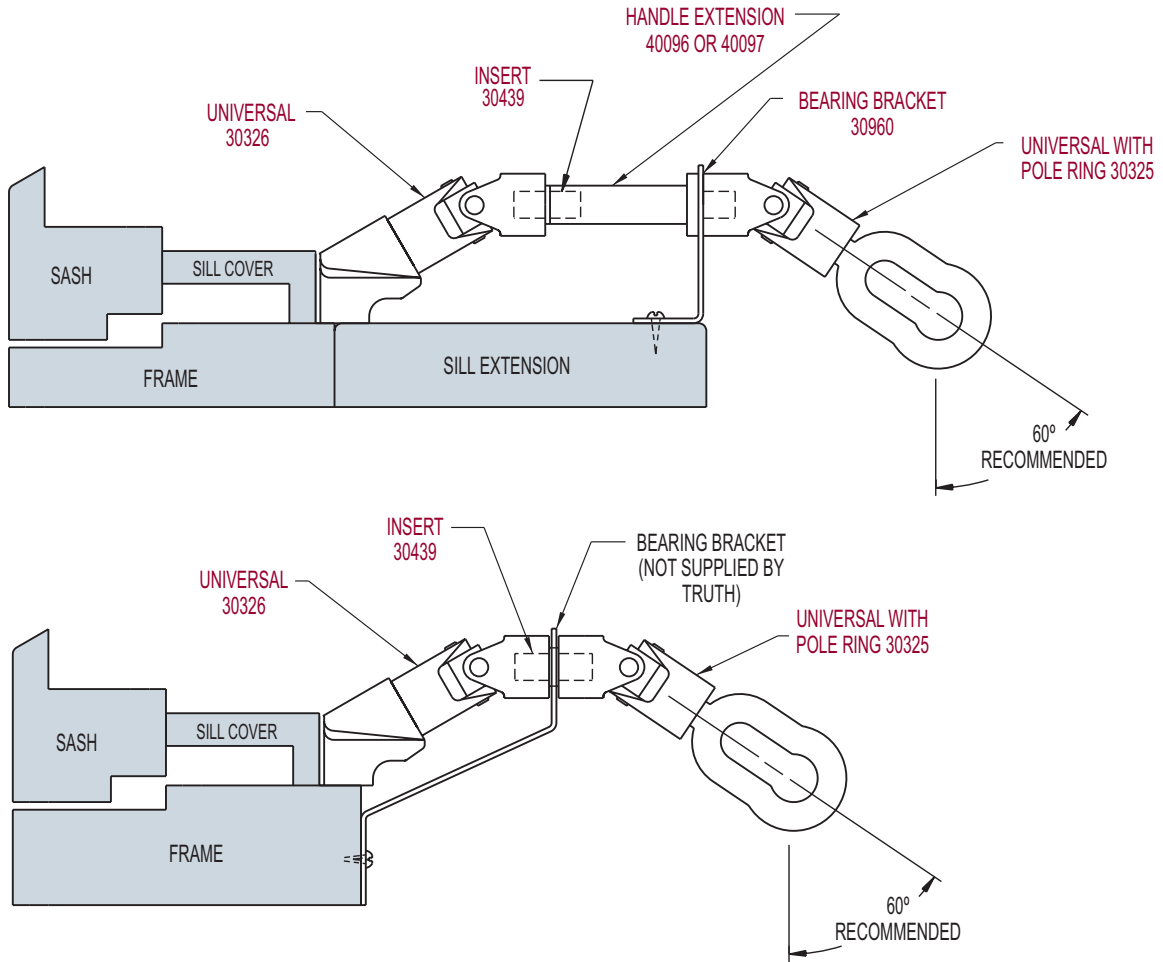


FIG. 2 UNIVERSAL WITH POLE RING 30325.XX

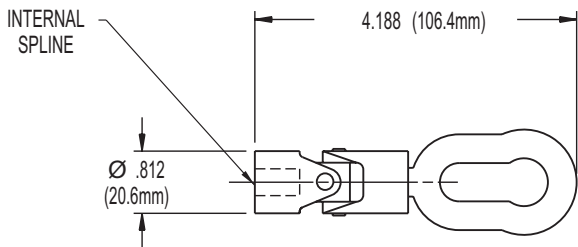


FIG. 3 UNIVERSAL 30326.XX

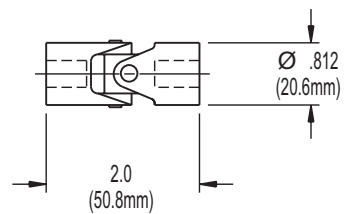
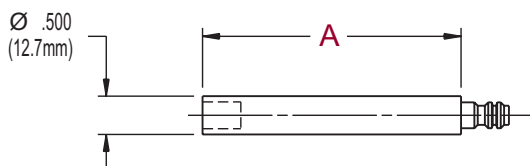
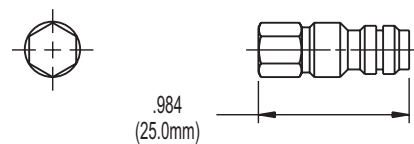


FIG. 4 HANDLE EXTENSIONS 40096.XX, 40097.XX



EXTENSION	A
40096	2.0 (50.8mm)
40097	4.0 (101.6mm)

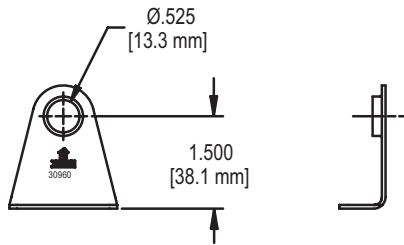
FIG. 5 INSERT 30439



NOTE:

1. INSERT IS NEEDED TO CONNECT UNIVERSAL TO UNIVERSAL OR UNIVERSAL TO HANDLE EXTENSION.
2. SPLINE STANDARD ON ALL TRUTH OPERATORS.

FIG. 6 BEARING BRACKET 30960.XX  
(available from Truth)



RECOMMENDED SCREWS:

(QTY 2)#7 PHILLIPS, PAN HEAD SCREWS  
(LENGTH AND THREAD TYPE TO BE  
DETERMINED BY PROFILE)

FIG. 7 BRACKET FOR FACE MOUNT  
(not available from Truth)

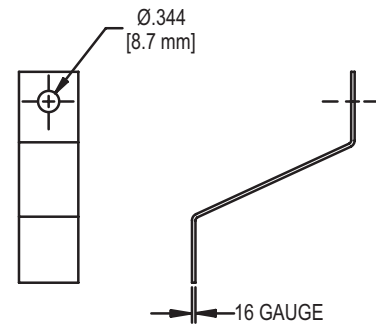
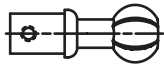
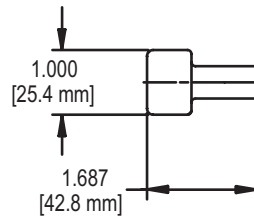


FIG. 8 HEX BALL  
DRIVE 30957



INCLUDES SET SCREW.

FIG. 9 HEX BALL  
ADAPTOR 30662.XX



INCLUDES SET SCREW.

FIG. 10 HOOK 10453



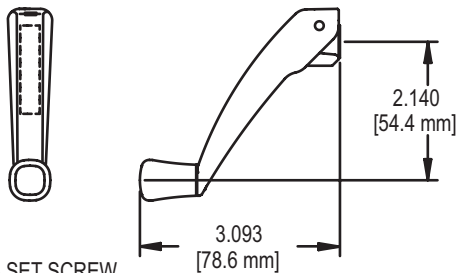
INCLUDES SET SCREW.

FIG. 11 EYELET 31000.XX



INCLUDES SET SCREW.

FIG. 12 FOLDING HANDLE 11329.XX



INCLUDES SET SCREW.

FIG. 13 CONTOUR HANDLE 11454.XX

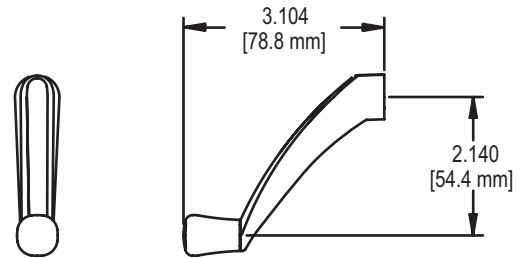
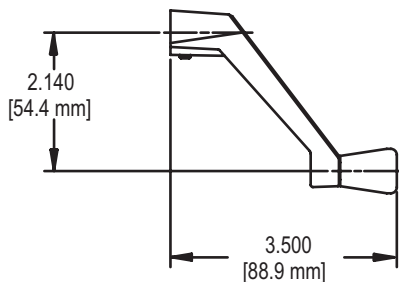


FIG. 14 HANDLE 10579.XX (Long Handle)



INCLUDES SET SCREW.

FIG. 15 HAND KNOB 11660.XX

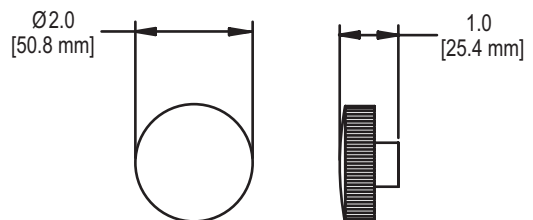


FIG. 16 SPLINE CAP 12136.XX

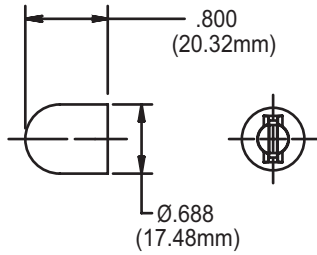


FIG. 17 T-HANDLE 11573.XX

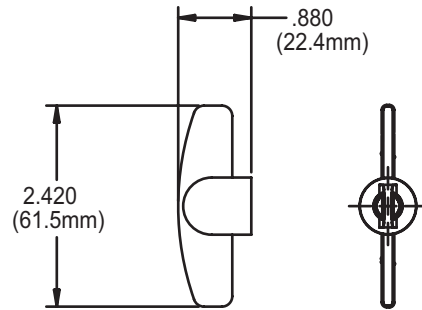


FIG. 18 METAL ENTRYGARD COVER 11328.XX  
(11327.XX with gasket)

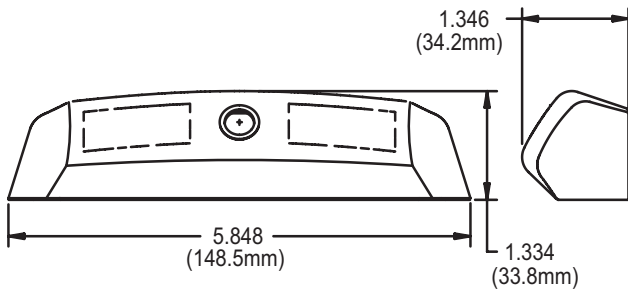


FIG. 19 CONTOUR COVER 11553.XX  
(BRASS USE 10536.13)

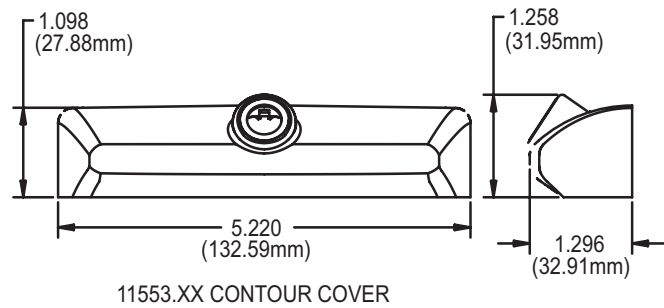
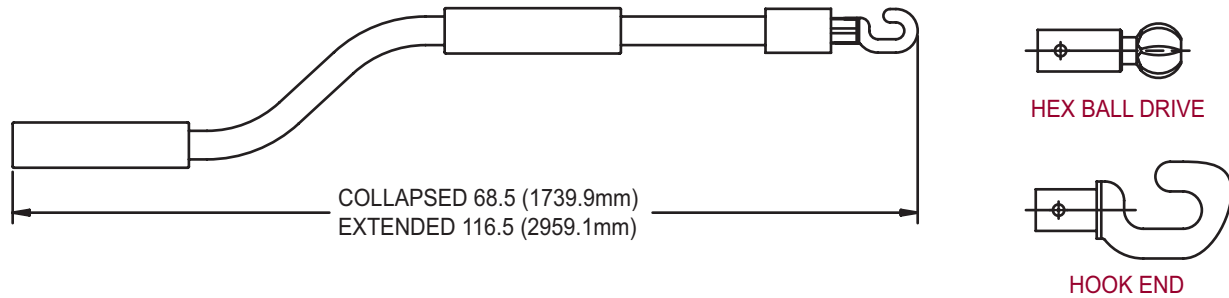


FIG. 20 TELESCOPING POLE CRANK: POLE WITH HEX BALL DRIVE 10637  
POLE WITH HOOK END 10638



RECOMMENDED HEIGHT RANGE (FROM FLOOR) 7' - 11' (WINDOWS)  
9' - 15' (SKYLIGHTS)

FIG. 21 3 FOOT POLE EXTENSION 30681 (Fits Telescoping Poles)

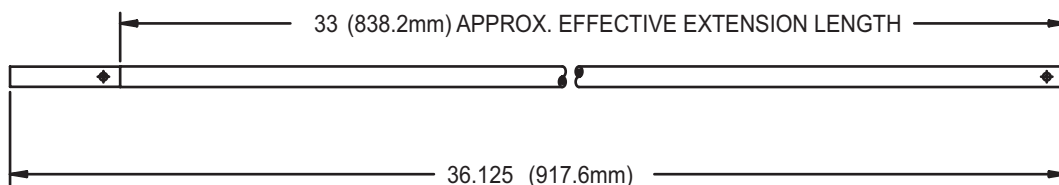
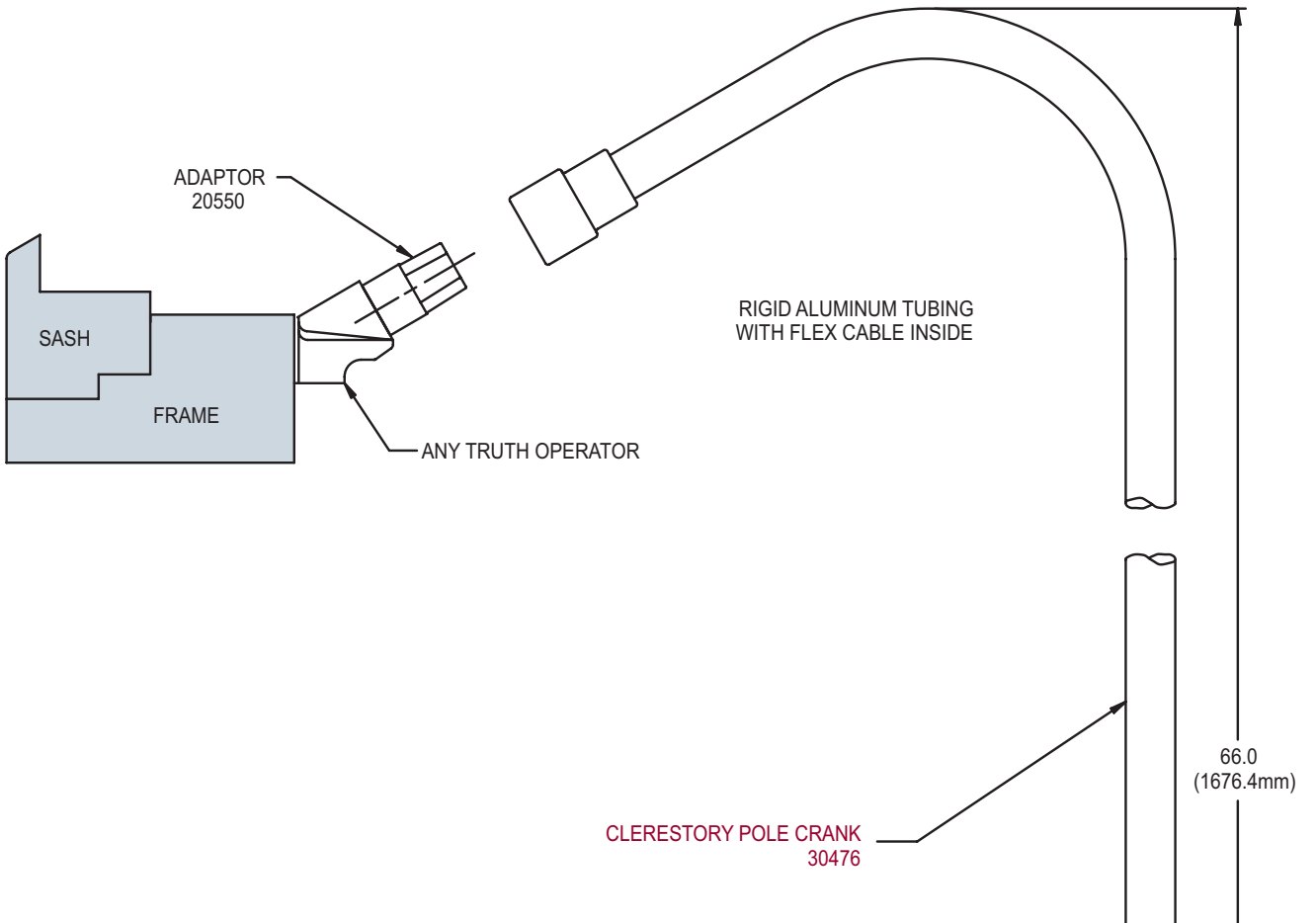


FIG. 22 APPLICATION OF CLERESTORY POLE CRANK



RECOMMENDED HEIGHT RANGE (FROM FLOOR) 8' - 11' (WINDOWS ONLY)

FIG. 23 ADAPTOR 20550

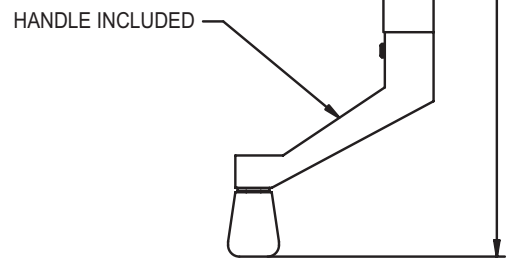
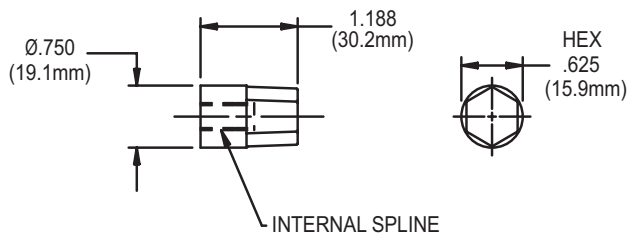
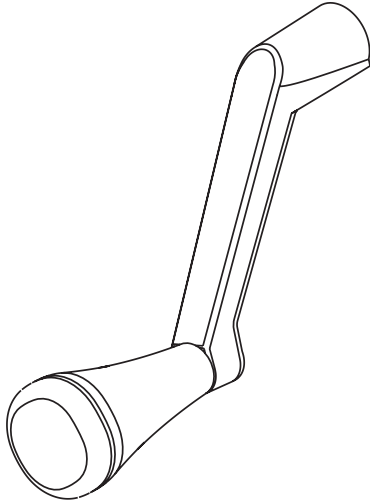


FIG. 24 ADA OPERATOR HANDLE 11403.XX



Due to differing physical abilities, we realize that standard window crank handles may not be appropriate for everyone, however it is our hope that Truth Hardware's new **#11403 ADA Operator Handle** with its special design, will make it easier for those who are able to use it, to more easily enjoy the benefits of operable windows.

Truth Hardware's new #11403 ADA Operator handle has a larger diameter, and longer contour shape to make it easier for a person with limited mobility to crank open/close a casement or awning style window. Available in a wide assortment of colors. Fits all Truth Hardware roto crank style casement and awning operators.